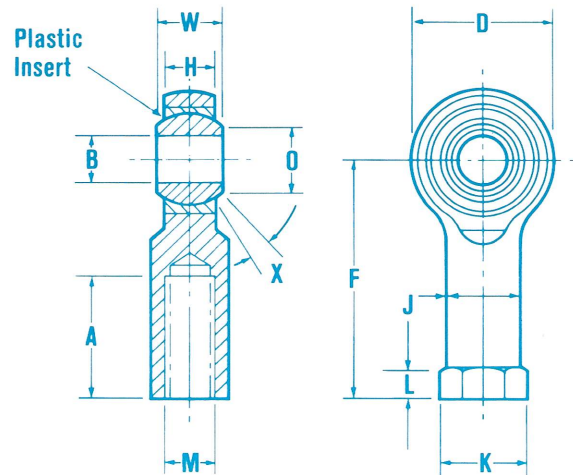


MFP series female thread



Specification

Housing	Mild steel. Phosphated.
Ball	1% carbon chromium steel. Chromium plated on spherical surface.
Liner	Plastic – acetal copolymer.
Temperature	Normal operating range 0-75°C.



Metric dimensions

Bearing number	B	W	H	O	D	F	L	A	K	J	M	X	Ball dia	Maximum static radial load in Newtons approx.	Weight in kg each approx.
	Bore +0,05 - 0	Ball width +0,1 -0,1	Housing width +0,1 -0,1	Ball flat dia	Head dia +0,2 -0,2	Centre length +0,2 -0,2	+0,2 -0,2	Thread length min.	+0,2 -0,2	+0,2 -0,2	Thread size ISO medium fit	Angle deg.			
MFP 06	6	9	7,50	8,9	22	30	5	13	13	11	M6 x 1,0	12,5	12,70	5 000	0,025
MFP 08K	8	12	9,75	10,4	26	36	5	16	16	14	M8 x 1,25	14,0	15,87	8 400	0,043
MFP 10K	10	14	11,25	12,9	30	43	6,5	20	19	17	M10 x 1,5	13,5	19,05	11 900	0,072
MFP 12K	12	16	12,75	15,4	34	50	6,5	23	22	19	M12 x 1,75	13,0	22,22	15 800	0,107

For left hand thread insert 'L' in bearing number, eg. MFLP 08K.